



# Cambridge Crystal Ball

Published by the National Cambridge Collectors, Inc. as a resource which informs, invites and inspires people to encourage the continued preservation of the glass produced by the Cambridge Glass Company of Cambridge, Ohio for future generations.

Issue No. 513

ISSN 2474-5987

November/December 2017

## A Look Back in Time 1937 (continued)

By Mark Nye

*Continued from October 2017*

*As in previous chapters of this on going history of the Cambridge Glass Company, as seen through the trade journals, wording, grammar and spelling is as it originally appeared. The source of each item is identified. CGL stands for "China, Glass and Lamps" while CGJ stands for "Crockery and Glass Journal." Anything added by editor is enclosed in [ ]. Unless otherwise indicated the items originated with the trade journal and its staff. If the text is from a Cambridge paid advertisement, this is indicated.*

July

...are a platter, plate and stemware in the etched "Firenze" design – a part of the new Fall line of the Cambridge Glass Co. The "Pristine" shape in both tableware and stemware has been used for this new etching, with its fan and scroll motif. It is also produced with the etching gold-filled, in all the same assortment of items. The "Pristine" is also shown decorated with two handsome new cuttings, of them the "Chesterfield," a design of close-set squares; the other "Belfast," a pattern of mitred diamonds. Also new is "Windsor Blue," a tone of icy blue in opaque glass, appearing in a small group of decorative items in the Shell shape. And there are new epergnes—two light candelabra with either a bubble ball or tall vase set between the two candles. The bubble ball may be in either crystal or color. CGL

July

Be sure to See [Ed. Note: the original advertisement had a reproduction of the Cambridge label at this point] when you are in New York. No visit to New York during the New York Housewares Show July 11 to 17, inclusive, will be complete without seeing the Cambridge creations on display at 184 Fifth Avenue, between 22<sup>nd</sup> and 23<sup>rd</sup> Streets. We cordially invite you to visit our Special Exhibit during this show. That we may make an adequate display of our new creations and our extensive lines of plain, etched, cut and decorated ware in their entirety, we

*Continued on page 8*

### *What's Inside*

A Look Back in Time 1937 (continued) . . . . .	1
President's Message . . . . .	3
News from Cambridge . . . . .	4
Using Your IRA for Charitable Giving . . . . .	7
From the Archives . . . . .	10
Fall Membership Meeting and Educational Program . . . . .	12
eBay Report . . . . .	14
Pristine 496 Candlestick . . . . .	16



# National Cambridge Collectors, Inc.

PO Box 416 Cambridge, OH 43725-0416

## Board of Directors

2018

Julie Buffenbarger Doug Ingraham David Ray

2019

Rick Jones Lindy Thaxton Lynn Welker

2020

Cindy Arent Larry Everett Sharon Miller

2021

Sandra Bridwell-Walker Ken Filippini Freeman Moore

## Officers

President	Rick Jones
Vice-President	Doug Ingraham
Secretary	Sharon Miller
Treasurer	Sandra Bridwell-Walker
Sergeant-at-Arms	Larry Everett

Director of Strategic Planning	Ken Filippini
Director of Human Resources	David Ray
Chair, Endowment Committee	Doug Ingraham

## ADDRESS CHANGES

Please send address changes to:  
Membership - NCC  
PO Box 416  
Cambridge, OH 43725-0416  
or by e-mail to:  
[membership@cambridgeglass.org](mailto:membership@cambridgeglass.org)

## Vice President

Member Relations  
Convention  
Digital Media  
Glass Dash  
Glass Show  
Study Groups  
Webmaster

## Member Services

Freeman Moore  
Freeman Moore - Membership Database  
Rick Jones - Convention Director  
Alex Citron - Manager of Facebook Operations  
Larry Everett & Frank Wollenhaupt  
Sandra Bridwell-Walker  
Jeannie Moore - Study Group Coordinator  
David Adams

## Vice President

Campaigns  
  
Events  
  
Projects  
Publicity

## Development

Julie Buffenbarger  
Ken & Jane Filippini - Annual Fund Directors  
Larry Everett - Director of the Heritage Society  
Will & Bev Acord - Auction Managers  
Lynn Welker - Auction Manager  
Carl Beynon - Jeweler & Scotties Project Manager  
Jonathan Fuhrman

## Education

Larry Everett  
Freeman Moore - Executive Editor  
Mark Nye - Director of Publications  
Dave Rankin - Director of Media Productions  
Mark Nye - Archivist  
Greg Vass - Director of Programming

## Vice President

Crystal Ball  
Publications  
Media Productions  
Research  
Programming

## Museum

Cindy Arent  
Sandra Bridwell-Walker - Docent  
Julie Davey - Docent  
Jessica King - Docent  
Sandi Rohrbough - Docent  
Betty Sivard - Docent  
Kayla Wyers - Docent  
Carl Beynon - Director of Facilities  
Lynn Welker - Director of Collections  
Lynn Welker - Gift Shop Manager  
Cindy Arent - Gift Shop Manager  
Mark Nye - Archivist  
Cindy Arent

## Vice President

Public Operations  
  
Facilities & Grounds  
Collections  
Merchandise Sales  
  
NCC History  
Community Relations

## Administration

## Vice President

Accounting & Finance  
Information Technology

Doug Ingraham (acting)  
Lisa Neilson - Office Manager  
(vacant)



## CONTACT US

136 South 9th Street  
Phone: 740 432-4245  
[nccglass@yahoo.com](mailto:nccglass@yahoo.com)



Rick Jones, President  
e-mail: [president@cambridgeglass.org](mailto:president@cambridgeglass.org)  
Sharon Miller, Secretary  
e-mail: [secretary@cambridgeglass.org](mailto:secretary@cambridgeglass.org)

## Heritage Society

*Ensuring the preservation mission of the NCC through planned giving and estate bequests.*

Members of The Heritage Society are those who have included the NCC in their wills or estate plans, thus providing the organization with a secure future.

The mission of The Heritage Society is to foster smart estate planning and to assure that NCC is not forgotten as an important beneficiary. Any pledge is meaningful and appreciated.

All Cambridge collectors - both current and future - will benefit from, and be grateful for your support.

Let us know how we can help with your future plans.

NCC Website: [www.CambridgeGlass.org](http://www.CambridgeGlass.org)

Miami Valley Study Group Website: [www.mvsg.org](http://www.mvsg.org)



# PRESIDENT'S MESSAGE

## *Loving the Museum*

Why does everything seem to fall on the same weekend? The weekend of October 20-22<sup>nd</sup> had THREE places I wanted to be: the NCC Fall Meeting in Cambridge, the Valley Glasshoppers Show in Winchester (which I have sold at the last two years) and the Jacksonville FL Depression Glass Club Show, where I have also sold the past two years.

Last year, I was honored to be the Seminar Speaker in Jacksonville on the History of Cambridge Glass and immediately promised them I would return in 2017. Little did I know, the NCC Quarterly Meeting would fall that weekend (or that I would be back as President) or that the Winchester date would be the same as Jacksonville. They were a week apart in 2016.

I kept my word to go to Jacksonville. Plus, I wanted to see how the area was doing after Hurricane Irma dealt them a blow. Also, I had plans to hook up with some cousins who live in the area. I had seen them in May when my Uncle Herb (their Dad) passed.

Enough about my travel conflicts, this article is about what I did earlier in the month. Cindy and I decided to consign some glass to the NCC 2018 Benefit Auction. Normally, I would have brought the accepted lots up to Cambridge on the weekend of the Fall Meeting. Instead, I headed to Ohio two weeks earlier.

While it was only a three-night trip, it was amazing. I did deliver our Auction glass on the 6<sup>th</sup>. The Yellow Building has a room set up to handle all the consignments and to photograph them for our NCC website. Our Auction Chairs – Bev and Will Acord and Lynn Welker had the shelves set up already by lot number as they had already determined the auction order. It was incredibly well organized.

I was able to unpack all my glass and put them on a shelf. Later, Lynn and Larry Everett would place the items on their appropriate shelf in lot order. Like I said, VERY IMPRESSIVE.

As I unpacked, I put the left over paper in a garbage can. Board member Lindy Thaxton was with me and said she would take the paper out of the can and use it for the Museum gift shop. I immediately changed my behavior and tried to

nice fold the paper on the table for the gift shop's later use.

I learned from Lindy that the gift shop can use clean newsprint sheets (not newspapers) that any member might be willing to donate. Also, they can use "plate boxes." If you get a shipment from Amazon, Walmart or someone else, think about saving those plate size boxes and deliver them to the Museum at Auction or Convention time.

Lindy should have an article in the January Crystal Ball on other items the Museum could use. Please read it carefully and think about how you can help. All of us can – the list could range from toilet paper, paper towels to glass donations in Forest Green and Royal Blue; two colors where we do not have a lot of Museum-owned glass.

Also at the Museum, I met with Cindy Arent (and Lindy) on a number of items. We had new LED lighting put in and much of the cost was covered by a grant from AEP (the power company from whom we actually bought the building).

Grant money also paid for half of the cost of a new AC unit that was installed on the roof. Our Museum team works incredibly hard to find these grants and funding programs that help reduce the costs to our membership. As always, I was so impressed and grateful for their hard work.

We had a very productive initial meeting looking at long range plans for the Museum. Notably, what will it cost us to keep the Museum going after the current generation of members and volunteers may no longer be here to volunteer their time. This is an important initiative and we have a lot more work to do on this project. It is among this Board's most important priorities.

In the meantime, please know the Museum looks great! A new dining room display has been put in place and will be a real show-stopper as the Dickens Festival gets rolling.

While I'm really sorry to have missed this Fall Quarterly Meeting, I am just so proud of where our Museum is and you should be too. As you look at your 2018 calendar, please join us in Cambridge for Auction, Convention or ANY OTHER TIME and share the love.

Rick Jones

[president@cambridgeglass.org](mailto:president@cambridgeglass.org)



# News from Cambridge

By Cindy Arent

As the regular season draws to a close, it seems even busier in Cambridge with preparations for the holiday season. There are bus groups to schedule, decorating to do, maintenance projects to accomplish and 2018 museum budgeting to complete.

It is important to be involved in community events. In September we learned that downtown businesses and organizations were invited to make a scarecrow to be displayed downtown during the month of October. This might seem like a simple task, but we quickly discovered that it would take a good bit of planning and



work. “The Cambridge Glass Man” took on a life of its own. His head is made from two clear plastic bowls put together and his hat is a bowl that a few people thought was really Cambridge Glass! “The Cambridge Glass Man” even has on a NCC logo shirt that Carl Beynon found in a closet from 20 plus years ago.

Last month the Cambridge Area Chamber of Commerce Adult Leadership Class visited the museum and on October 5<sup>th</sup>, the Youth Leadership group arrived. These students are in the 11<sup>th</sup> grade and are from all area high schools. They enjoyed their time at the museum; in fact we received a call that afternoon from one of the students that wanted to bring a glass bird back to the museum for us to see. She had really enjoyed her museum tour!

Since the last issue, we’ve also had a visit from Silver Wheels Tours of Asbury Park, NJ and a group of 52 historians from Auglaize County, OH. We also had a site inspection from Jan’s Fans, a tour company from Athens, Oh and they have already booked a tour for December 15<sup>th</sup>.

The NCC Mould Storage Building received a large cleanup. The Community Development Corporation received a grant that offered Guernsey County residents



L – R; Sandi Rohrbough, Sharon Bachna, Cindy Arent, Barbara Siegal (Silver Wheels Travel Tours of NJ), coach driver and Lindy Thaxton gathered outside the museum as the bus was preparing to depart

the chance to clean up and take debris to their dumpsters at no cost. NCC took full advantage of this opportunity and the facility is in much better condition. Many thanks to Joe Miller for the use of his truck.

In October, the new HVAC roof unit was installed by Ables, Inc. of Cambridge. The Rose Point dining room display needed to be removed since the heavy work was done on the area of the roof directly over the room. This was a good opportunity to thoroughly clean the display room and change the display. The Rose Point table setting had been on display for a year. The dining room for the coming year will feature Ebony and gold. Check the museum Facebook page for updates.

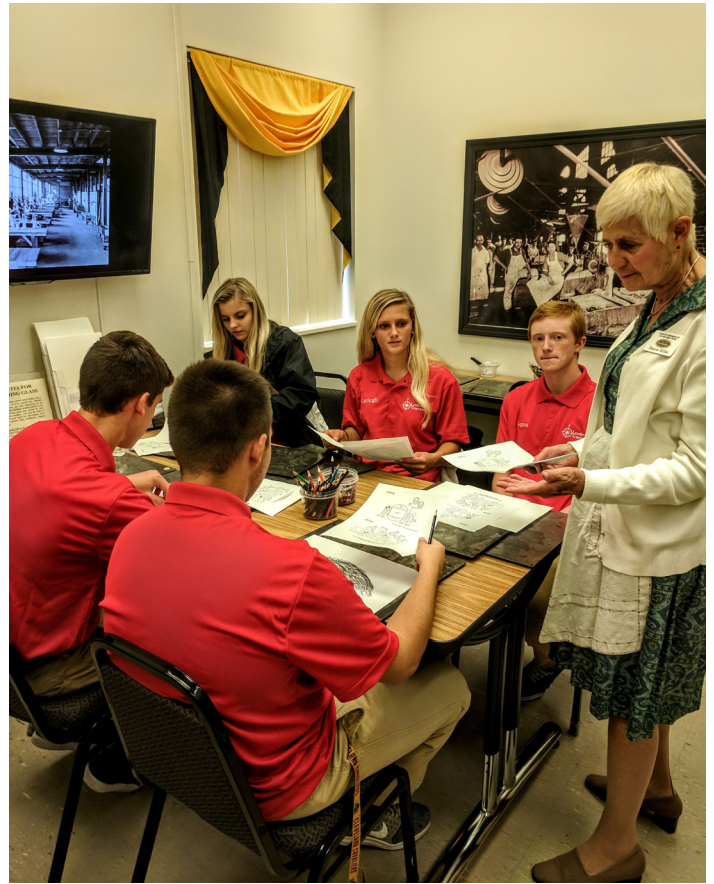
The Museum’s Holiday Open House will be Friday and Saturday of Thanksgiving weekend from noon to 4:00 each day. By adding Friday to the weekend schedule, we can participate in the national “Shop Small” campaign.

We hope to see you at the museum soon!





Members helped to clean and organize the NCC Storage Building are: (L – R) Lindy Thaxton, Carl Beynon, Mike Strebler, Joe Miller, David Ray. Cindy Arent took the photo.



Sharon Miller shared a handout about setting both a formal and informal table and the students had fun doing a rubbing from an etching plate.



(L – R) Rick Jones, Tarzan Deel and Lynn Welker stopped at the NCC Storage Building to see the progress made on cleanup day.



Members Tim and Chris Smith came to visit the museum in October. Chris had seen on the museum Facebook page that we had been working at the NCC Mould Storage Building and asked if she could see it. Chris and Tim are looking at the Caprice mould that was once used to produce the plate she had just purchased at the museum gift shop!



# National Museum of Cambridge Glass



**Holiday Open House**  
 Thanksgiving Weekend  
 Friday and Saturday  
 November 24 and 25  
 Noon to 4:00 p.m.  
 Free Admission

Our Gift Shop includes authentic Cambridge Glass, Jewelry and Ornaments made from Cambridge Glass, gift boxes with Cambridge Glass and other gifts for the holidays. Museum guides dressed in Victorian attire!



**Holiday Hours:**  
 Saturday and Sunday  
 November 4 - December 17  
 Noon to 4:00 p.m.

136 S. 9th Street: P.O. Box 416; Cambridge, OH 43725  
 740-432-4245 | [www.cambridgeglass.org](http://www.cambridgeglass.org)



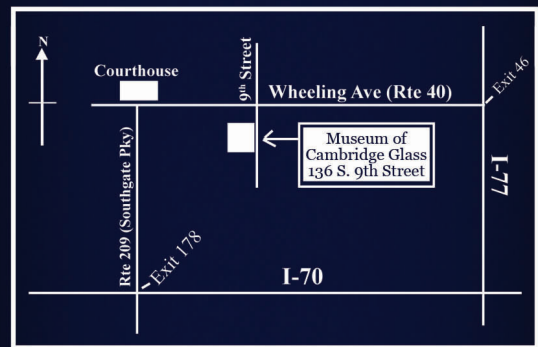
- Gift Shop featuring genuine Cambridge Glass and
- Thousands of pieces of beautiful Cambridge Glass
- Exhibits on the history of The Cambridge Glass Co.
- Diorama depicting the handmade glassmaking process
- Edna McManus Shepard Education Center
- Rotating exhibits from major private collections
- Bill & Phyllis Smith Research Library
- Books on Glass Collecting

**General Admission is \$5**  
**Seniors \$4 • AAA Members \$4**  
**NCC Members and children under 12 FREE**

The Museum is accessible to the handicapped.  
 Parking is FREE.

*The National Museum of Cambridge Glass is owned and operated by the National Cambridge Collectors, Inc. (NCC); a non-profit corporation founded in 1973 to encourage and support the collecting and study of Cambridge Glass.*

The Museum is easy to find; just a short drive from I-70 or I-77



## National Museum of Cambridge Glass

136 S. 9th Street: P.O. Box 416; Cambridge, OH 43725  
 740-432-4245 | [www.cambridgeglass.org](http://www.cambridgeglass.org)



*This rack card made possible through the support of a grant from the Cambridge/Guernsey County VCB.*  
[www.visitguernseycounty.com](http://www.visitguernseycounty.com) • 800-933-5480  
 627 Wheeling Ave., Cambridge, OH 43725

## Did You Know?

# A Little Known Way To Use Your IRA For Charitable Giving to NCC

by Doug Ingraham and Freeman Moore

How can you use your IRA to give charitable gifts to NCC while obtaining tax advantages for yourself? It's simple if you are over 70½ and have an IRA, you can request your plan administrator to send money directly to NCC without being subject to income taxes on the distribution. The money you send to NCC can be counted as part of any Required Minimum Distributions (RMD) that you need to take for the year.

Say what? Really? Yes.

### HERE ARE THE DETAILS:

- ✓ You must be age 70½ or older at the time of the gift.
- ✓ You transfer money directly from your IRA. Up to \$100,000 annually. If you and your spouse file jointly, you each can transfer up to \$100,000 annually tax free.
- ✓ This opportunity applies only to IRAs and not to other types of retirement plans.
- ✓ The plan administrator transfers the funds outright to one or more qualified charities. The legislation does not permit direct transfers to charitable trusts, donor advised funds or charitable gift annuities.

### FREQUENTLY ASKED QUESTIONS:

**Q. I'm turning age 70½ in a few months. Can I make this gift now?**

A. No. The legislation requires you to reach age 70½ by the date you make the gift.

**Q. I have several retirement accounts-some are pensions and some are IRAs. Does it matter which retirement account I use?**

A. Yes. Direct rollovers to NCC can only be made from an IRA. Under certain circumstances, however, you may be able to roll assets from a pension, profit sharing, 401(k) or 403(b) plan into an IRA and then make the transfer from the IRA directly to NCC. To determine if a rollover to an IRA is available for your plan, speak with your plan administrator, tax advisor and/or financial advisor.

**Q. I have more than one IRA; can I take my total required minimum distribution or IRA Charitable Rollover from just one account?**

A. Per the IRS website, "An IRA owner must calculate the RMD separately for each IRA that he or she owns, but can withdraw the total amount from one or more of the IRAs."

**Q. Can my gift be used as my minimum required distribution under the law?**

A. Yes, absolutely. If you have not yet taken your required minimum distribution, the IRA charitable rollover gift can satisfy all or part of that requirement. Contact your IRA plan administrator to complete the gift.

**Q. Do I need to give my entire IRA to be eligible for the tax benefits?**

A. No. You can give any amount under this provision, as long as the amount is \$100,000 or less in any given year.

**Q. Can I make the donation and get the tax advantages?**

A. No. It must be made as a direct transfer made by the plan administrator of your IRA directly to NCC.

**Q. What is the advantage of a direct transfer versus withdrawing the money and making a donation?**

A. A direct transfer is not added to your adjusted gross income (AGI) like a withdrawal would be. A withdrawal would be added to your taxable income. By keeping it off of your AGI, it could lower taxes and possibly reduce the Medicare high income surcharge.

**Q. Where can I get more information?**

A. Please consult with your tax advisor and financial advisor. You can also review the rules in IRS publication 590-B, available at [www.irs.gov](http://www.irs.gov). Look for information on "qualified charitable distributions" in the document.

**Q. If the plan administrator needs information on NCC, who do I contact?**

A. Please send an Email to the NCC treasurer, Sandra Bridwell-Walker at [treasurer@cambridgeglass.org](mailto:treasurer@cambridgeglass.org).

*The information in this article is not intended as legal or tax advice. For such advice, please consult your attorney or tax advisor.*



## A Look Back in Time

*continued from page 1*

deemed it best to utilize the advantages of our permanent showroom. Our Eastern Representatives, Mr. E. P. Henn, Mr. H. R. Pickering, Mr. W. R. Amidon, Mr. John A. Nixon will be at your service. The Cambridge Glass Company, Cambridge, Ohio. CGJ

### July

Cambridge promotes "Table Architecture" Plan. Cambridge Glass Co., of Cambridge, Ohio, has recently issued an elaborate counter display card explaining and aiding in the execution of its recently instituted plan of "table architecture." Most of the settings are based on two or more unit pieces which can be used harmoniously together and the display card illustrates prominently several of such. CGJ [From a journal feature entitled "...TRADENOTES"]

### August

Spanish influence reflected in this new etching, Firenze, on the Pristine line at Cambridge Glass Co. It is equally attractive plain or with gold incrustations. Cocktail shaker is an addition to the line. CGJ [From the regular feature Right Out Of The Kiln. Illustrated was a cocktail shaker and the cocktail from the Pristine line.]

### September

With Ads like These in These Influential National Magazines, Cambridge is Cementing 4,000,000 New Friendships. Tie in this fall! Last spring Cambridge advertising went into the homes of 4,000,000 families and told them the story of finer glassware. Sales showed it made new friends for Cambridge dealers everywhere. Now this fall, to cement these friendships and win still wider acquaintanceship, Cambridge has scheduled another positive program of national advertising. With publicity of this caliber being concentrated pm exclusive Cambridge creations and design, volume in your own department will feel its influence. Caprice and Pristine will be featured in the October magazines. Ask the Cambridge salesman to show you the balance of the schedule, so you'll not miss a single opportunity to tie in with display and promotion to best advantage.

The Cambridge Glass Co. Cambridge, Ohio. CGJ [Cambridge paid full page advertisement. The magazines shown were Ladies Home Journal, House & Garden, and American Home.] CGJ

### October

Pictured...are a new stemware shape and a new flared bowl from the Cambridge Glass Co., both of them decorated with the handsome "Cranston" cutting. The stemware is No. 3139, and it is characterized by the long, rounded-conical shape of the bowl and the squared buttons, graduated in size, which make up the stem. The bowl is No. 430 and it is part of the complete line of flatware which, together with the new stemware, is decorated with the "Cranston" cutting. CGL

### October

In the November Magazines – EPERGNES by Cambridge. National Advertising...adding to Cambridge Prestige and Sales! In the national spotlight for November, Cambridge features exclusive and ever popular Epergnes. This advertising—timed with the upswing of the year's entertainment season, and featuring the practical Epergnes—will build profitable volume for any dealer who ties in with this merchandising program. Take advantage of the revived market, exclusive Cambridge design, Cambridge quality and Cambridge national advertising—all working together to build a still greater demand for glassware which bears the famous Cambridge Trademark. Profit by this combination of sales advantages. Feature Cambridge. The Cambridge Glass Company Cambridge, Ohio. CGJ [half page Cambridge advertisement. It featured the advertisement that was to appear in the upcoming nationally circulated consumer magazines.]

### November

Cocktail shaker and ice tub from the Pristine line at Cambridge Glass Co. is illustrated... The Chesterfield cutting lends itself well to this simple shape. CGJ [From the CGJ feature known as "Right out of the kiln" that appeared in each issue]

### November

Cambridge says to Millions...Statuesque and Table Architecture...Ideal for Gift Promotion. Cambridge is

turning the power of its national advertising campaign on the tremendous seasonal gift market....telling 4,000,000 leading families that glassware makes an ideal gift—especially Cambridge Hand Made Crystal. Appealing to the entire market with Statuesque and Table Architecture, Cambridge creates for your profit and volume a tremendous demand you cannot afford to overlook. Plan now to display and feature Cambridge. Take advantage of Cambridge prestige and salability to promote a greater holiday business in your entire glassware department. The Cambridge Glass Company Cambridge, Ohio CGJ [The Statuesque line was featured in the Cambridge advertisement that appeared in “Ladies Home Journal,” Table Architecture was the feature of the advertisement that appeared in “House & Garden,” and epergnes were the feature of advertisement appearing in “The American Home.”]

November

PATENT INFRINGEMENT WARNING! Water jugs similar to that illustrated [3400 ball jug] have recently been imported and are now being marketed in the United States, The trade and public are hereby warned that this or any similar design of jug is our exclusive property and is fully patented. Any party selling or offering this jug for sale without a license from us in an infringer of the patent and is liable for damages. Infringers will be prosecuted to the fullest extent of the law. The Cambridge Glass Company Cambridge, Ohio. CGJ [Cambridge paid quarter page advertisement]

November

PLAN FOR PITTSBURGH EXHIBIT: CAMBRIDGE GLASS TO DISPLAY. While the retail merchandising trade is occupied with selling plans for the pre-Holiday season, manufacturers, importers, decorators and other purveyors of china, glassware, pottery and kindred lines are planning for the 58<sup>th</sup> annual Glass and Pottery Exhibit in Pittsburgh, which has been announced for the period January 10 to January 18. The exhibit, the oldest continuing trade event of its kind in the United States, will be held at the Hotel William Penn where it has been concentrated for several years.

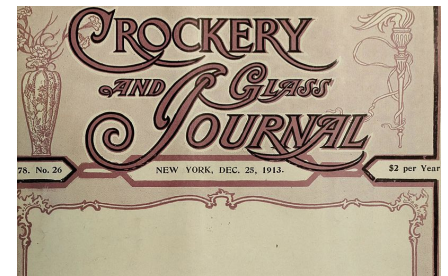
For the buying and merchandising trade, it will be of interest to know that many new lines will be added to those which have been displayed regularly in the past few years. It is announced by the Associated Glass &

Pottery Manufacturers, the group of producers fostering the exhibit, that the Cambridge Glass Co. again will be among the exhibiting companies. The Cambridge Glass Co., which has been absent from the Pittsburgh Exhibit for several years, has taken a suite of rooms on the Fourth floor.

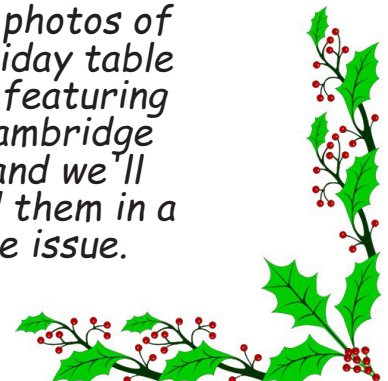
The increase in the number and variety of displays will not be the only change for the January exhibit in Pittsburgh. Hotel William Penn is just completing a campaign of remodeling and redecorating from the main floor to the 17<sup>th</sup>. This remodeling includes the setting up of a sample room floor, the Fourth. CGL

December

There was nothing found related to the Cambridge Glass Company in the December trade journals.



*Send in photos of your holiday table setting featuring your Cambridge glass and we'll included them in a future issue.*



## From the Archives - Circular Letter #53

By Mark Nye

*From the file of Circular Letters comes this communication to the Cambridge sale force. As with previously published letters, it has been retyped using a format similar to the original, including the handwritten change.*

January 11<sup>th</sup>, 1933

CIRCULAR LETTER #53:  
TO ALL AGENTS

We sent you C/L #31 -1933, covering Japonica Glassware. Since sending out that letter and some preliminary samples it has been called to our attention that this name "Japonica" may suggest that this ware is made in Japan and we have, therefore, decided to change the name to "HAWTHORNE."

We would ask that you place a sticker over the spot where the name is stamped on the bottom of the samples which you have received or will receive and re-mark all samples "Hawthorne" instead of Japonica.

We, of course, are having a new stamp made to show the name "Hawthorne" on the bottom of all goods which will be shipped to your customers and on any additional samples which you order.

Kindly acknowledge receipt of this letter, stating that this matter is clearly under-stood and that you have taken care of the matter of changing the markings on samples as requested above.

THE CAMBRIDGE GLASS COMPANY  
H.A. Lovelady



*HAWTHORNE*  
~~JAPANESE~~ GLASSWARE

Red  
 Blue  
 Amethyst

		Per Doz.
1309	5 in. Vase	30.00
1300	8 in. Ftd. Vase	30.00
628	3½ in. Candlestick	30.00
3400/102	5 in. Globe Vase	37.50
3400/93	Ivy Ball	37.50
1192	6 in. Candlestick	37.50
1307	3-holder Candelabrum	45.00
1301	10 in. Vase	52.50
277	9 in. Ftd. Vase	52.50
3400/103	6 in. Globe Vase	52.50
3500/44	8 in. Ftd. Vase	52.50
1242	10 in. Vase	52.50
531	7 in. Comport	52.50
3400/9	Candy Jar & Cover	52.50
3400/136	6 in. 4-toed Bowl	67.50
3400/45	11 in. 4-toed Fancy Bowl	67.50
3400/4	12 in. 4-toed Bowl	67.50
3500/41	10 in. Covered Urn	67.50
1238	12 in. Ftd. Vase	67.50
1302	9 in. Ftd. Vase	67.50
276	11 in. Ftd. Vase	67.50
3500/45	10 in. Ftd. Vase	67.50
1335	12 in. Vase	67.50
1317	12 in. Ftd. Vase	67.50
279	13 in. Ftd. Vase	90.00
1228	9 in. Oval Vase	90.00
3500/42	12 in. Covered Urn	90.00
1240	4-Toed Oval Bowl	90.00
779	14 in. Vase	150.00
1336	18 in. Vase	300.00

# Fall Membership Meeting and Educational Program

By Greg Vass

## Topaz



Over 50 members attended the Fall Membership Meeting and Educational Program, held October 21<sup>st</sup> at Theo's Restaurant in Cambridge Ohio. The program was very interesting and spanned almost the entirety of the production time of the Cambridge Glass Company. Lynn Welker did a great job of helping us to understand some of the variations of colors particularly the browns and yellows. Lynn hinted he might have a follow-up quiz at the March meeting! There were only a few bi-color pieces such as the 3025 and 3035 goblets with gold krystal bowl and amber stem. Glass was brought by members from near and far to create this outstanding display. Thanks to everyone for helping out. Of course, people brought some very unique items for Show-n-Tell.

## 20's Amber

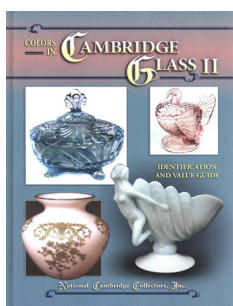


Mark your calendar for next year for the 3<sup>rd</sup> weekend in October. As topic for the Program has not been selected, your suggestions would be valued

## Golden Showers



## Madiera



## 30's Amber





# Fall Educational Program - Page 2

## Gold Krystal



## Mocha



## Mandarin Gold



## 50's Amber



Members enjoying conversation before dinner.





This report is provided to keep members up with what's happening on the world's largest Internet Auction site, and focuses on Cambridge glass items that are seldom or rarely seen. Please note we cannot guarantee the accuracy of listings herein.

Welcome to the eBay Report. This column features Cambridge glass items that sold on eBay circa late September through early October, 2017, plus a few items that sold farther back, which I forgot to mention in last month's report. Selling prices have been rounded to the nearest dollar. If a color is not mentioned, assume that the item or portion of it being discussed is crystal.

### Statuesque (Nude Stem) Line

A set of five brandies with Amber bowls sold for \$180. A set of six 7-3/4 inch clarets with Royal Blue bowls sold for \$975.

One seller listed an interesting series of nude stems in pairs. Each auction was for a cocktail and a brandy. The Forest Green pairing sold for \$68; the Amethyst pairing, \$69; the Carmen, \$97; and the Royal Blue, \$223. The only aberrant pair consisted of an all-crystal cocktail paired with a Heatherbloom brandy, both of which had optic bowls. These sold for \$222.

### Figural Items

A tiny Cambridge frog figure in Light Emerald sold for \$22. I understand that these were reproduced at some point; can one of our readers steer us to a past article in the Crystal Ball (or write one) that explains how to tell them apart? Another frog in dark amber sold for \$33.



A Light Emerald Green Two Kids flower frog sold for a shockingly low \$70.



A small Rabbit covered box in Amber (no fur detail) sold for \$130. Though "Cambridge" was in the title, and seller provided some brief information about it, he or she listed it under one of the EAPG categories. I didn't find it myself;

the heartbroken underbidder forwarded it to me.

A pair of Statuesque candleholders in Crown Tuscan with gold highlights sold for a mere \$132. Not surprisingly, the pair of Statuesque candelabra in Windsor Blue did not go for a pittance. This pair was surmounted by crystal bobeches with prisms, and went for \$1,526.



### Etched Tableware and Stemware



A seller offered 3 #3116 cordials with the rare Candlelight cutting (not the acid etched Candlelight) at \$40 each. Not surprisingly, all 3 were purchased.

Four bidders duked it out for a #107 covered pitcher and six #1630 flat 5-1/2 inch flared tumblers in Peach

Blo etched #695. The set sold for \$120, listed as "pink luster Depression glass" in the Depression Glass - Unknown Maker category.



A set of 5 #3075 9 ounce goblets in PeachBlo etched Hunt scene sold for \$150.

I learned awhile back that Hunt scene is generally found on Lines 3075 and 3085, but the 1927-1929 catalog reprint shows it only on the latter shape. (You have bought your copy of this catalog from NCC by now, right?)

### Rose Point Etching on Crystal



A #3400/102 globe vase etched Rose Point, crowned with a silverplated lid with finial, sold for \$40. There was minor damage to the rim of the vase, and some wear to the silver plating. Seller described it as "Vintage Cambridge Etched Glass Apple Jar Biscuit with Lid," but at least identified the pattern correctly. This could be a simple case of a latter-day "marriage," or maybe it was offered this way originally by a retailer. Has anyone seen one before, or something similar?

A #1066 Rose Point oval footed cigarette holder sold for the opening bid of \$100.



One seller listed two large footed compots with Gorham sterling silver around the foot and a wide sterling silver band around the rim with a sort of "flowers, urns, and beading" design. Each one sold in a separate auction for the same price, \$139.

A #300 6 inch covered candy with applied rose (albeit crystal, not carmen) finial (you know how highly I think of these) etched Rose Point sold for \$178.



The #3900/52 quarter pound ("stick") butter dish sold for the opening bid of \$250. The #1320 8-1/2 inch 14 ounce cordial decanter sold for \$350.

### Gold, Silver, and Enamel Decorations

A 3-piece "salad set" in Primrose opaque consisting of a 10 inch plate, footed mayonnaise and ladle, with an etched band of flowers around the edges, the band filled with gold and then enameled in green trim on both edges of the band, sold for \$95. This resembled the #167 salad set, but the plate in this set was not the 13-1/2 inch size listed in the catalog.



A Tally Ho 7-7/8 inch water goblet with a Carmen bowl and D1007 gold decoration sold for \$50. A Doulton style pitcher with gold encrusted Rose Point etching sold for \$224.

A remarkable offering that generated spirited bidding was three separate lots offering pieces in Crystal with the Skiers enamel and frosted decoration:

- A #1323 decanter sans stopper brought \$392.
- A set of five 5-1/2 inch tall flat tumblers brought \$374.
- Interestingly, the Decagon ice bucket with metal bail brought the highest dollars, at \$520.



A #1621 10 inch flared rim urn vase in Ebony with gold encrusted Wildflower etching sold for \$621.



The most stunning thing I have to report this issue was a set of 4 #3500 7-1/2 inch 12 ounce footed tumblers (described as “tall” in the catalog) with Carmen bowl, etched and gold encrusted Rose Point, which sold

for \$2,020. Seller was so happy with this selling price, that he or she offered a second set, which went for \$3,600. One word, three times: wow, wow, wow.

### Caprice

A spherical shape vase with the plain collar top in Royal Blue sold for \$31. Seller provided a one-line description with no measurements, so who knows which size it was (though it was clearly not one of the larger ones.) Really? Is it *that* much of an effort for a seller to get out a ruler or a tape measure, and tell potential bidders one of the most basic facts about the piece they want us to buy from them?



A Caprice 3-footed covered candy in La Rosa with Alpine treatment sold for \$78. A set of four 5 inch Caprice tumblers with the bulbous top in Amethyst sold for \$150.

### Miscellaneous



A #3400/95 “tilt” 4-1/2 inch covered puff box in Forest Green took a powder for the seller at \$80. A fleabite chip was noted.



A #2360 11-1/2” vase in Peach Blo with the Hollyhock etching sold for \$80 in an incognito listing.

A set of six 3-1/2 inch tumblers in the late (and rare) Sunset color were listed incognito as “Drinking Beverage Glasses Set 6 Blue Amberina Rims Tint Body



Blood Red Base,” with a \$9.99 opening bid. After the dust settled and 5 bids were placed by 5 different sellers, yours truly came out at #2. The lucky winner at a \$99 bid forwarded me the auction and said (to paraphrase a bit), “Hey Michael, look what I just won!” to which I replied, “I KNOW.” Oh well, that’s how auctions work, and he is still a valued Cambridge friend.

A Gadroon #3500/41 10 inch covered urn in Royal Blue sold for the opening bid of \$175.



A #3200 Wild Rose Nearcut punch bowl and base in Carmen sold for \$495.

Sometimes, you just have to shake your head. A seller listed not one, but a PAIR of #3500/45 10 inch flared vases in Amethyst with Japonica enameled decoration, with an opening bid of \$50. Of course, the seller did not know what they were, and they were buried in a non-glass specific category. Within a few days, the seller changed the auction to a Buy It Now, at a price of... \$100. This auction was forwarded to me by a friend who was eager to place a much more sizable bid than that. The seller lost big time, but the buyer (who no doubt made an offer the seller felt he or she couldn’t refuse) gained big.



Speaking of Japonica, a #1302 keyhole stem vase with Royal Blue top and Japonica decoration was offered at a \$7,000 opening bid, but failed to sell.

### Follow Ups from Previous Reports

In my June/July report, I described a large Statuesque comport as being “solid Forest Green.” Jack Thompson corrected me; the correct color is Emerald green, because it is “a late piece done long after Forest Green was discontinued, circa 1949, also made in Mandarin Gold.” These, plus Crown Tuscan and Windsor Blue, are the only solid colors in which this piece was made.

In the October report, I talked about rare #3500/154 three light candleholder etched Rose Point. Turns out that that was actually a PAIR that sold for \$125. My editor pointed out that this Gadroon shape seems to have morphed into a Caprice triple candleholder a year later.

Also regarding the October report, a member commented that he has a piece of Japonica with the Aero Optic, too, but unlike the non-standard one shown last month, the satinization is on the interior of his piece, as is typical for most Japonica.

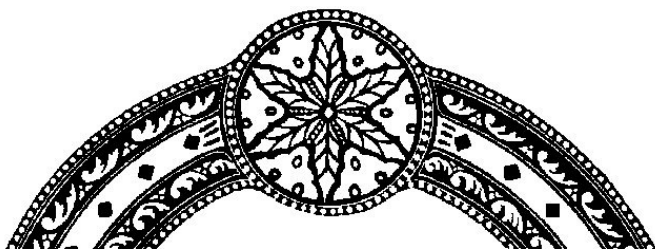
If you see any interesting Cambridge glass on eBay that you think I should be watching or reporting on, or if you have any other input, feel free to contact me at [LAGlass@pacbell.net](mailto:LAGlass@pacbell.net). Until next month, happy Cambridge hunting!



NCC welcomes the following new members

Jennifer Koon

MI



### Member Benefit

Each NCC household is allowed one free 20-word classified ad in the Crystal Ball per calendar year as part of their membership. This can be a "For Sale" or "Wanted" type of classified ad. Submit your ad by email to [editor@cambridgeglass.org](mailto:editor@cambridgeglass.org)

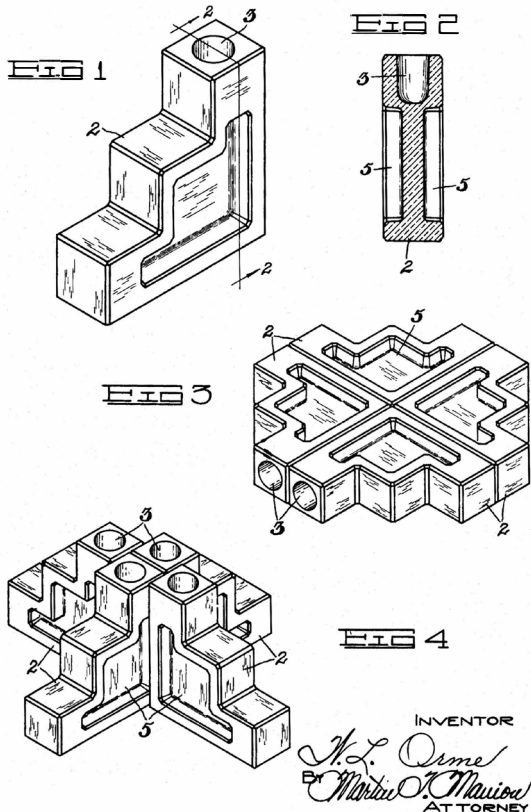
## CLASSIFIEDS

Aladdin Kerosene Lamp Collectors Manual Price Guide #23, 2017 Edition. \$11.95 First Class. J. W. Courter, 550 Pioneer Ln, Calvert City, KY 42029.

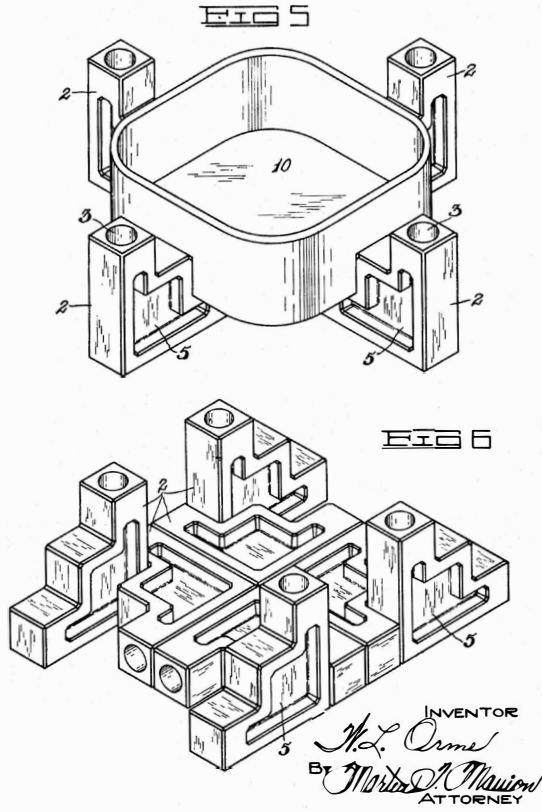
### Pristine 496 - 5" Interchangeable Candlestick or Flower Trough

Check out the Pristine 496 mould pictured on the last page. Below are two pages from Patent #2,115,962. This invention relates to articles for home and table decoration, and more particularly to a candlestick capable of use singly or collectively in groups, and in combinations with other articles of decoration whereby numerous attractive decorative arrangements may be achieved.

May 3, 1938. W. L. ORME 2,115,962  
TABLE DECORATING UNIT  
Filed April 23, 1937 2 Sheets-Sheet 1



May 3, 1938. W. L. ORME 2,115,962  
TABLE DECORATING UNIT  
Filed April 23, 1937 2 Sheets-Sheet 2





# For Sale - NCC Books and DVD

Published by NCC • Members receive a 10% discount

TITLE		REGULAR PRICE	MEMBER PRICE
1910 NearCut Catalog Reprint	108 pages, paperback, no price guide	\$14.95	\$13.45
1927-29 Catalog Reprint	66 pages, paperback, no price guide, includes identification guide	\$9.95	\$8.95
1930-34 Catalog Reprint	250 pages, paperback with 2000 price guide	\$14.95	\$13.45
1930-34 Catalog Index	Index for above	\$2.00	\$1.80
1949-53 Catalog Reprint	300 pages, paperback, no price guide	\$19.95	\$17.95
Cambridge Colors II (New)	Hardcover with price guide	\$19.95	\$17.95
Cambridge Rose Point – A Collector's Guide		\$29.99	\$27.00
Caprice	200 pages, paperback, no price guide	\$19.95	\$17.95
Decorates	136 pages, paperback, no price guide	\$14.95	\$13.45
Etchings (2nd Edition)	102 pages, paperback, no price guide	\$17.95	\$16.15
Etchings, Non-Catalogued	70 pages, paperback, no price guide	\$12.95	\$11.65
Etchings: Blossomtime	26 pages, paperback, no price guide	\$7.95	\$7.15
Etchings: Candlelight	30 pages, paperback, no price guide	\$7.95	\$7.15
Etchings: Chantilly	44 pages, paperback, no price guide	\$7.95	\$7.15
Etchings: Diane	53 pages, paperback, no price guide	\$7.95	\$7.15
Etchings: Elaine	64 pages, paperback, no price guide	\$9.95	\$8.95
Etchings: Portia	57 pages, paperback, no price guide	\$7.95	\$7.15
Etchings: Wildflower	42 pages, paperback, no price guide	\$7.95	\$7.15
Rock Crystal Engravings	119 pages, paperback, no price guide	\$17.95	\$16.15
Rock Crystal Engravings (Listings)	Companion to above; lists all pieces in all patterns	\$9.95	\$8.95
Rock Crystal 1940 Illustrated Catalog & Price List		\$14.95	\$13.45
Rose Point - Second Edition	146 pages, paperback, no price guide	\$19.95	\$17.95
Pharmaceutical Catalog No.8 1915-1920 Reprint	68 pages, paperback, no price guide	\$9.95	\$8.95
Cambridge Arms compendium		\$7.95	\$7.95
1916 General Catalogue		\$13.95	\$13.95
Rose Point Program - DVD (Postage \$3.00)		\$19.95	\$17.95
Caprice Program - DVD (Postage \$3.00)		\$19.95	\$17.95

## How to Order by Mail or from the NCC Website

Send orders to:  
NCC • PO Box 416 • Cambridge, OH 43725

OHIO RESIDENTS PLEASE ADD 7.25% SALES TAX

SHIPPING:  
\$5.00 FOR THE FIRST PUBLICATION  
\$1.00 FOR EACH ADDITIONAL ITEM

Please include your name, complete mailing address and your phone number or e-mail address.

Payments by check or Money Order only, payable to NCC

Books may also be purchased on the NCC website,  
[www.cambridgeglass.org](http://www.cambridgeglass.org).

Major Credit Cards are only accepted for web purchases.





## NCC Events

\*\*\*\*\*

**2018 NCC Auction  
Saturday March 3, 2018**

\*\*\*\*\*

**2018 NCC Convention  
June 20-23, 2018**

\*\*\*\*\*

**2018 Fall Meeting  
Saturday, October 20, 2018**

## Recent Finds



#507 - Virginian 7 in. Candelabrum



Compare the actual  
with this picture  
from the 1940  
catalog reprint.

### November 4-5, 2017

Michigan Depression Glass Society  
45th Annual Depression Glass Show & Sale  
Ford Community and Performing Arts Center  
Dearborn, MI  
<http://www.michigandepressionglass.com/>

**Glass Shows**

### November 11-12, 2017

46th Annual Hudson Valley Glass Club  
Vintage Glass & Pottery Show & Sale  
30 Benner Rd.  
Red Hook, NY 12571  
(845) 473-3898

### November 17-18, 2017

Eastern National Antique Show & Sale  
Carlisle Expo Center  
Carlisle, PA  
<http://easternnationalantiques.com/>

### January 20-21, 2018

Cartersville Looking Glass Show & Sale  
Cartersville Civic Center  
Cartersville, GA 30120  
<http://meyershow.com/cartersville.php>

### January 27-28, 2018

Sanlando Depression Glass Show & Sale  
Sanford Civic Center  
Sanford, FL. 32771  
<http://sanlandodepressionglassshow.com/>

### February 3-4, 2018

South Florida Depression Glass Club presents:  
Vintage Glass, Pottery, Dinnerware Show & Sale  
Emma Lou Civic Center  
Pompano Beach, FL 33060  
<http://www.sfdgc.com>

### February 10-11, 2018

39th Annual Clearwater Depression Glass Club Show & Sale  
6340 126th Ave.  
Largo, FL, 33773.  
<http://clearwaterdepressionglassclub.org>

### February 16-18, 2018

The Houston Glass Show & The Best Little Antique Show in Texas  
Fort Bend County Fairgrounds  
Rosenberg, TX 77471  
<http://www.maxmillerantiques.com>

### February 24, 2018

Green River Depression Era Glass Club  
41st Annual Green River Glass Show & Sale  
525 4th Avenue N  
Kent, WA 98032  
[kayswede@msn.com](mailto:kayswede@msn.com)



# DEALER DIRECTORY

**Dealer Directory - \$24 for 12-months, size limited by box (see below). Includes listing on NCC website.**

## Advertising Rates:

1/8 page \$15      1/4 page \$20  
1/2 page \$30      Full page \$50

Electronic submissions should be emailed to:

[editor@cambridgeglass.org](mailto:editor@cambridgeglass.org)

Use Word. Mailed submissions and all payments should go to PO Box 416, Cambridge, OH 43725. Deadline is 10th of preceding month. Ads must be paid in advance. Show listings are FREE; send info to PO Box or e-mail address 60 days before event.



**Connecting Buyers & Sellers!**  
Tell us what you are looking for and we help find it.  
**CAMBRIDGE GLASS.US**  
P. Snyder 740-601-6018  
E-Mail and Find Your Glass!  
psnyder@cambridgeglass.us  
www.cambridgeglass.us

**E-Blast**  
When you are searching for Cambridge glass, email your request and it is emailed to all members and dealers.  
P. Snyder, 1500 Edgewood Dr., Circleville, Ohio 43113

**PATTON HOUSE ANTIQUES**  
Specializing in Glass  
Heisey • Cambridge • Fostoria • Duncan  
**Factory Antique Mall**  
Verona, VA off I-81. Exit 227  
The Daniels, Box 547 Louisa, VA 23093  
(540) 967-1181

**Cheshire Cat Antiques**  
Specializing in elegant depression to mid-century era glass and vintage kitchen glass.  
Francee Boches > 305-884-0335  
fboches@cheshirecatantiques.com



Pull up a Mouse!  
Shop 24 hrs a day at  
cheshirecatantiques.com

**Cherished Collectibles**  
Shopping 24 hours in our online store  
Glassware, Figurines, Collectors' Plates  
[www.cherishedcollectibles.com](http://www.cherishedcollectibles.com)  
Elegant and Depression Era Glass

**Heirloom Glass Antiques & Gifts**  
*Large Selection Of Cambridge*  
13411 Columbia Hwy.  
Lynnville, TN 38472  
www.heirloomglass.net 931-446-5492  
juanita@heirloomglass.net

Edward Sawicki  
**Memories Antiques**  
"Glass is our Passion"  
Candlesticks and stemware our Specialty."  
PO Box 153 646-522-1506  
Dunnellen, NJ 08812 ejsawicki@optonline.net

**CRYSTAL LADY**  
1817 Vinton St. Omaha, NE 68108  
**Bill, Joann and Marcie Hagerty**  
402-699-0422  
Specializing in Elegant Glass & Collectibles  
www.crystalladyantiques.com

**Glen & Carolyn Robinson**  
**White Rose Antiques**  
Specializing in Depression Era Glassware  
2454 McFarland Road  
York, SC 29745  
803-684-5685  
gandcrobinson@aol.com  
whiteroseglassware.com

**CRYSTALLINE COLORS**  
Cambridge • Fostoria • Elegant Glass  
Penny Court Mall, Cambridge - 2 booths  
Medina Antique Mall  
Medina, OH (I-71, exit 218)  
Lynne R. Franks 216-661-7382

**GLASS FROM THE PAST**  
Maureen Gillis  
  
www.glassfromthepast1.com  
email: maureen@glassfromthepast1.com

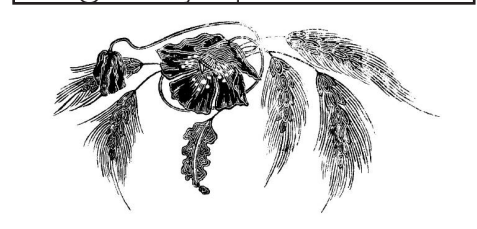
*Be sure to tell dealers that you saw their ad here.*

**TWEAK COLLECTIBLES**  
Specializing in Elegant Glass  
BUY & SELL  
WANTED: CAMBRIDGE TURKEYS  
417-742-3653  
btummons@aol.com

**Virtualattic At The Glass Chalet**  
Specializing in  
Elegant Depression Era Glass  
Sandra L. Bridwell-Walker  
PO Box 726  
Newcomerstown OH 43832-0726  
817-559-0328  
virtualattic7@gmail.com theglasschalet@gmail.com

**Max Miller**  
**Elegant American Glassware**  
www.maxmillerantiques.com  
The Market Place 713-410-4780  
10910 Katy Freeway. Houston TX 77043  
mmxglass@aol.com

**Ohio Valley Antique Mall**  
7285 Dixie Highway (Route 4)  
Fairfield, OH 45014  
Cincinnati's Largest Multi-Dealer Antique Mall  
Hours: DAILY 9:00 a.m. - 9:00 p.m.  
513-874-7855  
www.ohiovalleyantiquemall.com  
cfaxon@ohiovalleyantiques.com



**ISAACS ANTIQUES**  
(740) 826-4015  
located in  
**Penny Court Mall**  
637 Wheeling Ave  
Cambridge, OH

**BAKER FAMILY MUSEUM**  
805 CUMBERLAND ST.  
CALDWELL, OHIO 43724  
740-732-6410  
bakermuseumnellbaker@msn.com  
Wed & Thurs 9-4; Fri - Sat 9-5

**MARGARET LANE ANTIQUES**  
2 E. Main St. New Concord, OH 43762  
Lynn Welker (740) 826-7414  
Cambridge Glass Matching Service  
Hours: Mon-Fri 10-12 AM, 1-5 PM  
or by appointment

**Our House Antiques**  
Linda and David Adams  
Las Vegas, NV  
1-800-357-7169  
www.OurHouseAntiques.com  
email: David@OurHouseAntiques.com



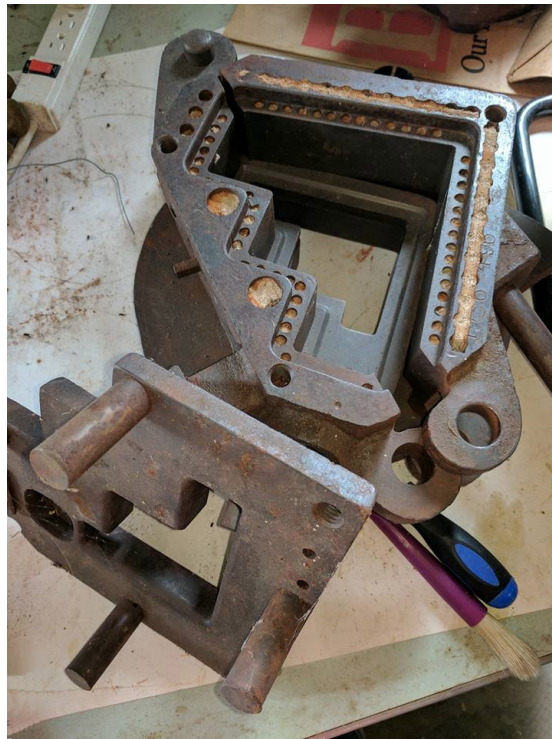



National Cambridge Collectors, Inc.  
PO Box 416  
Cambridge OH 43725  
email: editor@cambridgeglass.org  
website: www.cambridgeglass.org



© MVSGLORG

This Pristine #496 mould is just one of many that NCC has preserved in the storage building.



## ***The National Museum of Cambridge Glass***

**Holiday Hours  
Saturday and Sunday:  
Noon to 4:00 pm  
November 4 - December 17**

